

Voss™ Technical Specification

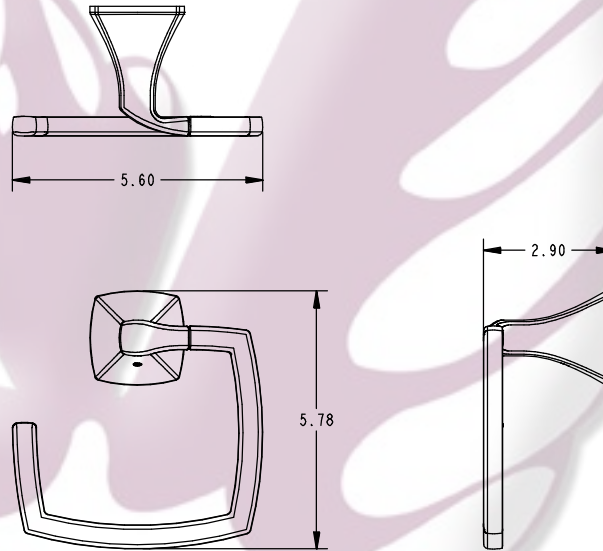
Towel Ring

YB5186

Stock Numbers:

- **YB5186BN – Towel Ring**
Brushed Nickel Finish
- **YB5186CH – Towel Ring**
Chrome Finish
- **YB5186ORB – Towel Ring**
Oil Rubbed Bronze Finish

Dimensions:



Materials:

Towel Ring is constructed of zinc.

Installation Instructions:

1. Remove the mounting bracket from the body by loosening the setscrew.
2. Position the assembled unit on the wall where desired.
3. Lightly mark the outline of the base.
4. Center a mounting bracket within the base outline **with "UP" facing you.**
5. Attach the mounting bracket to the wall, using the wall anchors provided.
6. Mount the base on the corresponding mounting bracket. Check and make sure that the base set screw hole is facing down. Assemble a set screw to the base. Use the allen wrench included in the hardware kit to tighten the set screw and secure the assembly to the mounting bracket.

Cleaning Instructions:

To preserve the fine finish of this product, clean only with a soft damp cloth. Dry well. Do not use commercial or abrasive cleaners.

Stock Number: _____ Towel Ring
By Creative Specialties

