

Model Number	Depth-Inches (left bowl, right bowl)	Drain Placement	Model Specified
G18242	10,8	Center	
G18211	8	Center	
G18212	9	Center	
G18210	7	Center	
G18215	5.5	Rear	

### SINK DESCRIPTION

- 1800 Series double bowl undermount sink
- 18 gauge stainless steel, Brushed finish
- Center drain location
- Mounting brackets included, other standard mounting hardware and silicone sealant not included
- SoundSHIELD sound absorbing system

### CUT OUT DIMENSIONS

- Template included - template number 22541

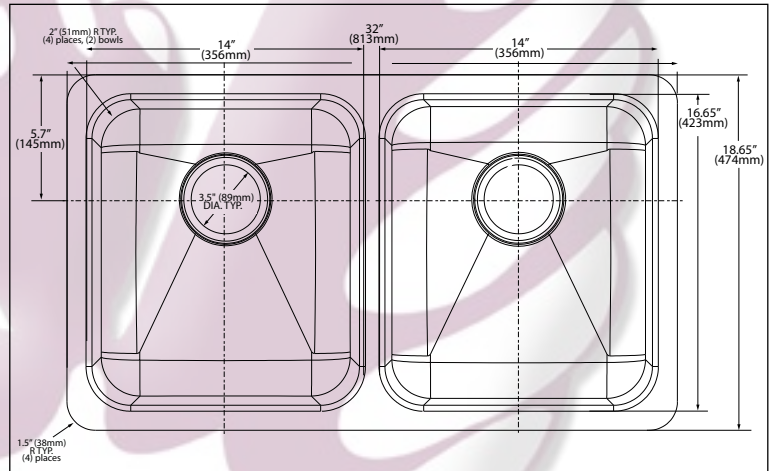
### STANDARDS

- Third party certified by IAPMO to meet ASME A112.19.3 and all applicable specifications referenced therein
- G18215 Compatible with ADA installation requirements

### WARRANTY

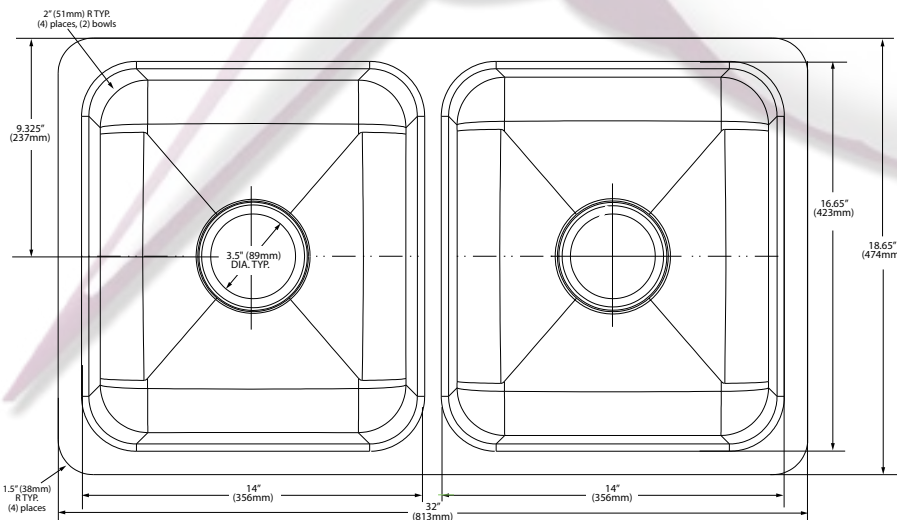
- Limited lifetime warranty against material or manufacturing defects to the original consumer purchaser

### Rear Drain Configuration



### CRITICAL DIMENSIONS

(DO NOT SCALE)



MADE IN THE **USA**

### Installation Detail

