



A Moen Incorporated Brand

Model:
CA47511 series



Flagstone®



UPC®

NSF 61/9

One Handle Kitchen

DESCRIPTION

- Metal construction with chrome plated finish
- 1/2" IPS connections
- Will accept standard cone/bevelled connection for 3/8" tubing
- Six (6) individual boxes per master carton

OPERATION

- Pivot action, lever style handle
- Temperature control by 90° arc
- Features international red/blue markings

FLOW

- Aerator limited to 2.0 gpm (7.6 L/min)

CARTRIDGE

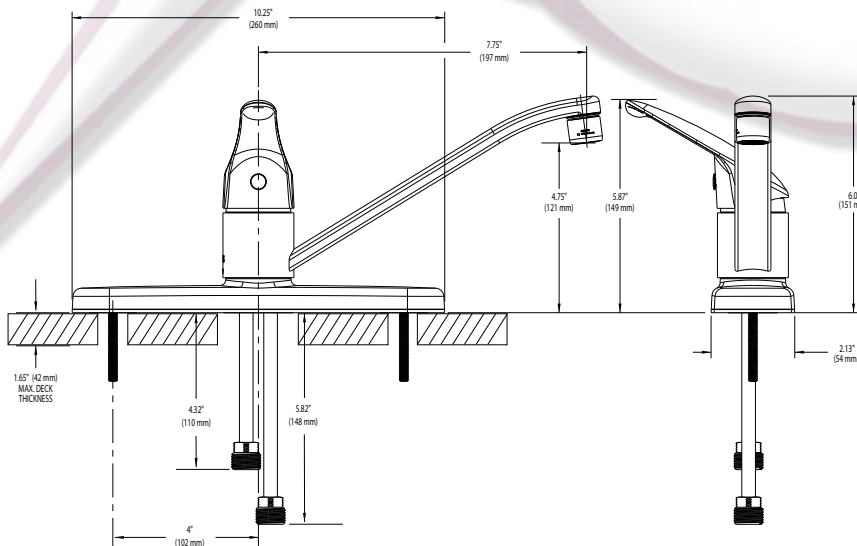
- Ceramic disc technology
- Non-metallic, non-ferrous, and plastic material
- Single body construction for easy replacement

STANDARDS

- Third party certified to ASME A112.18.1/CSA B-125.1, ICC A117.1, ANSI/NSF 61/9 and all applicable requirements referenced therein, the Federal Safe Drinking Water Act, California Proposition 65, Illinois, Massachusetts, and Texas
- All CFG products are compliant to all plumbing codes that require 3rd party certification to the applicable plumbing/fitting standards
- Feature red/blue hot/cold temperature indicators
- ADA for lever handle

WARRANTY - RESIDENTIAL, COMMERCIAL

- Ten year limited warranty against defects in materials and manufacturing workmanship
- Refer to the installation instructions enclosed with each CFG product or call 1-888-450-4910 for complete warranty information



CRITICAL DIMENSIONS

