

S P E C I F I C A T I O N S H E E T



A Moen Incorporated Brand



Models:  
**CA40710 1H Lav with metal waste**  
**CA40711 1H Lav with 50/50 waste**  
**CA40717 1H Lav less waste**

**One Handle Lavatory With Metal Waste**

**DESCRIPTION**

- Metal construction with various finishes identified by suffix
- Includes 17ga brass or 50/50 pop-up type waste assembly where noted
- 1/2" IPS connections
- Six (6) individual boxes per master carton
- Features red/blue hot/cold temperature indicator

**OPERATION**

- Pivot action, lever style handle
- Temperature control by 90° arc
- Will operate with less than 5 lbs. of torque
- No grasping motion required to operate the faucet handle

**FLOW**

- Flow is limited to 1.5 gpm max. (5.7L/min) at 60 psi, for products made before October 2008 flow is limited to 2.2 gpm max. (8.3L/min)

**CARTRIDGE**

- European ceramic disc technology
- Non-metallic, non-ferrous, and plastic material
- Single body construction for easy replacement

**STANDARDS**

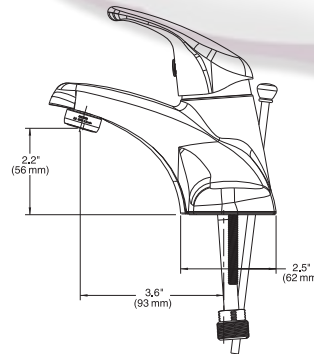
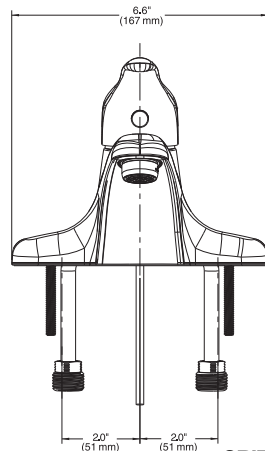
- Third party certified to WaterSense® CSA B-125.1, ASME A112.18.1, and all applicable requirements referenced therein including NSF 61/9
- Contains no more than 0.25% weighted average lead content
- Complies with California Proposition 65 and with the Federal Safe Drinking Water Act
- ADA for lever handles

**WARRANTY - RESIDENTIAL, COMMERCIAL**

- Ten year limited warranty against defects in materials and manufacturing workmanship
- Refer to the Installation Instructions enclosed with each CFG product or call 1-888-450-4910 for complete warranty information

**CRITICAL DIMENSIONS**

- NOTE: This faucet is designed to be installed through 3 holes, 1" minimum diameter, 4" centers
- Maximum deck thickness 1.375" (35 mm) - Spacer provided, discard spacer if deck thickness exceeds 0.625" (15.9 mm)



**CRITICAL DIMENSIONS**  
(DO NOT SCALE)

