

DESCRIPTION

- ADA compliant operation
- Chrome plated metal construction
- Cycle valve design
- 1/2" CC connections
- Inlets and outlets on same plane
- Supplied with vandal resistant screws


OPERATION

- Lever style handle with function indicators on the escutcheon
- Detents at each flow position
- Rotary 360° handle operation
- Valve operates 3 distinct functions but can be plumbed for 2 distinct functions

CARTRIDGE

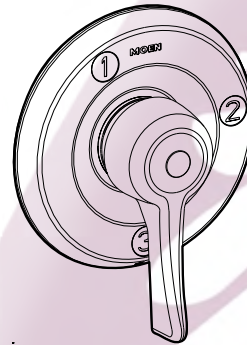
- Ceramic disk cartridge

STANDARDS

- Third party certified to meet ASME A112.18.1/CSA B-125.1 and all applicable specifications referenced therein
- Certified to NSF 61/9
- Complies with California Proposition 65 and with the Federal Safe Drinking Water Act
- **ADA**  for lever handles

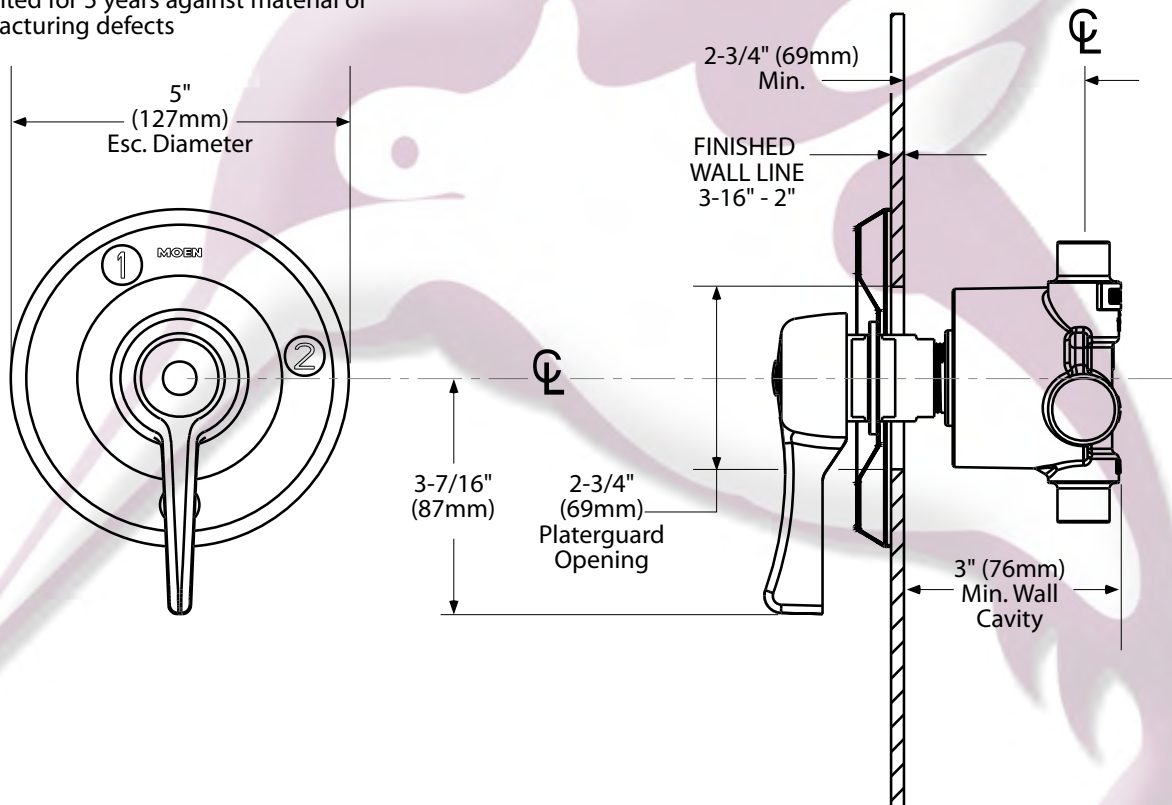
WARRANTY

- Warranted for 5 years against material or manufacturing defects



Three-Function Commercial Transfer Valve

Model: 8360



NOTE: This valve is not intended to be used as a shut-off valve. To prevent the potential of cross flow, check valves must be integral to the supply valve or installed in both hot and cold water supply lines.

CRITICAL DIMENSIONS

(DO NOT SCALE)



Tels. (81) 8375.0992-93 con 6 líneas

www.colibrimty.com info@colibrimty.com    @colibrimty