

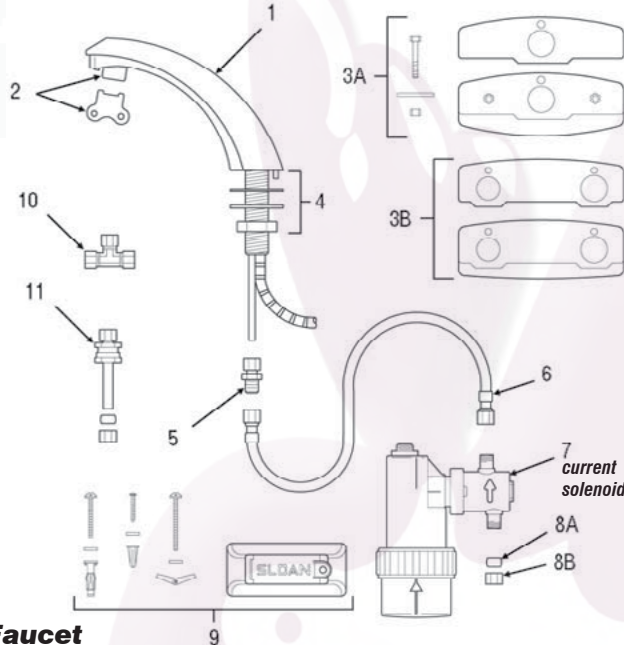
SLOAN®

SENSOR FAUCETS

Parts Guide • BATTERY OPERATED FAUCETS



OPTIMA Plus® EBF-85 Faucet

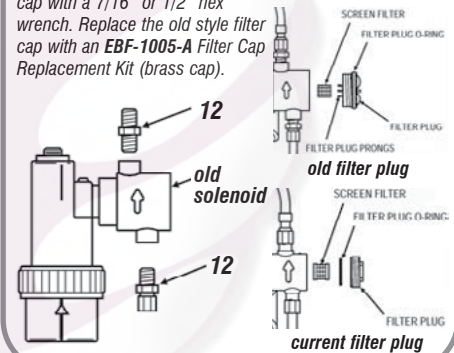


Solenoid Valve Changes

The current solenoid (in production since May 1998; part 7 shown on the left) has MALE inlet and outlet connections. The current style filter plug has a metal filter cap that can be removed with a 5/8" wrench.

The older solenoid valve (shown below) can be identified by FEMALE inlet and outlet connections. These require EBF-17 compression fittings (part 12 shown below).

This older style solenoid has either a plastic or a replacement brass filter cap. Remove the older brass filter cap with a 7/16" or 1/2" hex wrench. Replace the old style filter cap with an EBF-1005-A Filter Cap Replacement Kit (brass cap).



Parts List—EBF-85 Faucet

Item Number	Code Number	Part Number	Description
1	3315016	EBF-10-A	Faucet and Sensor Assembly (EBF-85)
	0315115	EBF-179-A	Fiber Optic Sensor Cable Assembly Only (replaces EBF-12-A)
	TBA	EBF-1009-A	Fiber Optic Sensor Cable Assembly Only (replaces EBF-12-A, includes lens holder)
2	3365091	ETF-1021-A	0.5 gpm (1.9 Lpm) Spray Head with Key (female thread)
	3365090	ETF-1022-A	2.2 gpm (8.3 Lpm) Aerator Spray Head with Key (female thread)
	0305612	ETF-237	2.2 gpm (8.3 Lpm) Laminar Flow Spray Head (female thread)
	0305927	ETF-435	Replacement Key ONLY for ETF-1021-A 0.5 gpm (1.9 Lpm) Spray Head and ETF-1022-A 2.2 gpm (8.3 Lpm) Aerator Spray Head (NOT required for ETF-237 2.2 gpm/8.3 Lpm Laminar Flow Spray Head)
3A	3365466	ETF-295-A	4" (102 mm) Centerset Trim Plate Kit for Faucet (Faucet Only) includes two (2) Nuts, two (2) Hex Screws, two (2) Flat Washers, Single Hole Cover Plate, and CP Base Plate
3B	3365467	ETF-299-A	4" (102 mm) Centerset Trim Plate Kit for Faucet with Optional Mixing Valve includes two (2) Nuts, two (2) Hex Screws, two (2) Flat Washers, Dual Hole Cover Plate, and CP Base Plate
4	0305626	ETF-290-A	Faucet Mounting Kit includes Rubber Gasket, Mounting Washer, Mounting Nut, and ETF-297 Compression Fitting Connector
5	0305736	ETF-297	1/4" to 3/8" Compression Fitting Connector
6	0305891	MIX-19	20" (508 mm) Flex Hose
7	3315011	EBF-11-A	Solenoid Valve Module Assembly includes Solenoid Enclosure, Solenoid Body, and Filter Cap
8A	0305510	ETF-208	3/8" (10 mm) Ferrule
8B	0305511	ETF-209	3/8" (10 mm) Compression Nut
9	3315014	EBF-25-A	Mounting Bracket Kit includes Base Plate, Wall Bracket Base, Wall Bracket, Mounting Screw, Self-tapping Screw, two (2) Wood Screws plus Washers and Plastic Anchors, two (2) Screws plus Washers and Toggle Nuts, two (2) Screws plus Washers and Hollow Wall Anchors
10	0305728	ETF-259	3/8" Tee Compression Fitting
11	3365001	ETF-470-A	Back Check
12	0315004	EBF-17	3/8" to 1/4" Compression Fitting Connector
—	3315009	EBF-1001-A	Solenoid Filter Replacement Kit for old solenoid includes Filter Screen Assembly and O-ring
—	3315028	EBF-1004-A	Solenoid Filter Replacement Kit for current solenoid includes Filter Screen Assembly and O-ring
—	3315051	EBF-1005-A	Filter Cap Assembly for old solenoid includes metal Filter Cover and O-ring

Tel.8375.0992/93, 8372.3713/14/15

Prol.Ruiz Cortines #307 Pte. Col.Paseo de Cumbres Mty N.L. C.P.64346

www.colibrimty.com



@colibrimty

Troubleshooting Guide for EBF-85 Faucets

NOTE: BEEP sounds are emitted from the Solenoid Valve Module (not from the Spout of the Faucet). For the first ten (10) minutes of operation (or after battery replacement), the unit BEEPs every time the faucet is activated to indicate that range limits are set. To conserve battery power, the unit will not BEEP again until it indicates low battery power.

Calibration Procedure: When the battery compartment is assembled to the valve module with active batteries, the faucet initiates a self-calibration mode and uses BEEPs to indicate the status of this mode. To prevent improper calibration, ensure that the Spout is centered properly and that no targets are in the detection range of the sensor when the batteries are connected. An initial series of BEEPs indicates that power is being supplied from the batteries to the faucet. For the next thirty (30) seconds, the sensor determines the most suitable range setting for its environment. Water will not flow from the faucet during this automatic range calibration. After the range is calibrated, a second series of BEEPs indicates that the faucet is ready for use. Under normal operation, this faucet adapts its range to changes in the

1. PROBLEM: Module emits audible "BEEPs" when activated.

CAUSE: Battery power is nearly exhausted.

SOLUTION: To ensure proper operation, insert four (4) new C-size Alkaline batteries. Check that the orientation of each battery matches the positive (+) and negative (-) symbols shown in the bottom of the Battery Compartment. Reattach Battery Compartment to Control Module.

2. PROBLEM: Sensor is activated but faucet does not deliver water.

INDICATOR: Module DOES NOT produce audible "BEEPs".

CAUSE: Battery power is fully exhausted.

SOLUTION: To ensure proper operation, insert four (4) new C-size Alkaline batteries. Check that the orientation of each battery matches the positive (+) and negative (-) symbols shown in the bottom of the Battery Compartment. Reattach Battery Compartment to Control Module.

CAUSE: Batteries are not installed properly.

SOLUTION: Check that the orientation of the batteries match the positive (+) and negative (-) symbols shown in the bottom of the battery compartment. Reattach the Battery Compartment to the Control Module.

CAUSE: Solenoid Valve Module is defective.

SOLUTION: Replace EBF-11-A Solenoid Valve Module.

INDICATOR: Module produces audible "BEEPs" when batteries are installed and after 30-second calibration procedure, but NOT when a target is placed in the detection zone of the Sensor.

CAUSE: Fiber Optic Cable is not connected correctly to Solenoid Valve Module or was not connected when batteries were installed.

SOLUTION: Reconnect Fiber Optic Cable to Solenoid Valve Module. Open Battery Compartment to reset electrical system. Check that the orientation of each battery matches the positive (+) and negative (-) symbols shown in the bottom of the battery compartment. Reattach the Battery Compartment to the Control Module.

CAUSE: Fiber Optic Cable is defective.

SOLUTION: Replace EBF-179-A Sensor Cable, EBF-1009-A Sensor Cable, or EBF-10-A Faucet/Sensor Assembly.

CAUSE: Solenoid Valve Module is defective.

SOLUTION: Replace EBF-11-A Solenoid Valve Module.

INDICATOR: Module produces audible "BEEPs" when a target is placed in the detection zone of the Sensor and Solenoid Valve produces an audible "CLICK", but NO water flows.

CAUSE: Water supply to faucet is not open.

SOLUTION: Open supply stop(s).

CAUSE: Back Check is installed backwards.

SOLUTION: Reinstall Back Check(s).

CAUSE: Solenoid Filter is clogged.

environment.

Battery Replacement Procedure:

Loosen security set screw on the

Coupling Ring with a 0.05" hex or

allen wrench. Unscrew Battery Compartment Coupling Ring. Remove Battery Compartment. To

ensure proper operation, remove old batteries and insert four (4) new C-size Alkaline batteries.

Check that the orientation of each battery matches the positive (+) and negative (-) symbols

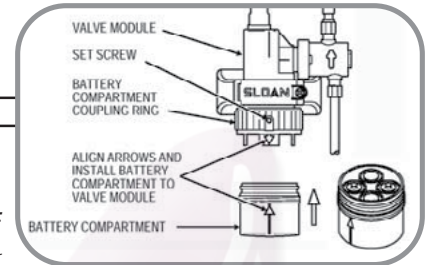
shown in the bottom of the Battery Compartment. Reattach the Battery Compartment to the

Control Module by aligning the arrow on the Battery Compartment with the arrow on the solid

tab of the Solenoid Valve Module. Secure by tightening Battery Compartment Coupling Ring.

To deter unauthorized removal of batteries, use a 0.05" hex or allen wrench to tighten the

Security Set Screw on the Coupling Ring.



SOLUTION: Remove, clean, and reinsert. Replace with EBF-1001-A or EBF-1004-A Solenoid Filter Kit if necessary.

CAUSE: Aerator or Spray head is clogged.

SOLUTION: Remove, clean, and reinsert.

INDICATOR: Module produces audible "BEEPs" when a target is placed in the detection zone of the Sensor, but Solenoid Valve does NOT produce an audible "CLICK" and NO water flows.

CAUSE: Solenoid Valve Module is defective.

SOLUTION: Replace EBF-11-A Solenoid Valve Module.

3. PROBLEM: Faucet delivers only a slow flow or dribble when Sensor is activated.

CAUSE: Water supply valve is partially closed.

SOLUTION: Open the Supply Stop(s) completely.

CAUSE: Solenoid Filter is clogged.

SOLUTION: Remove, clean, and reinsert. Replace with EBF-1001-A or EBF-1004-A Solenoid Filter if necessary.

CAUSE: Aerator or Spray head is clogged.

SOLUTION: Remove, clean, and reinsert.

4. PROBLEM: Faucet does not stop delivering water or continues to drip after user is no longer detected (automatic shut-off fails even when batteries are removed).

CAUSE: Solenoid Valve has been connected backwards.

SOLUTION: Disassemble Solenoid Valve compression fittings at the inlet and outlet positions. Water should flow from inlet through the Solenoid Valve to outlet according to the direction shown by the arrow on the side of the Solenoid Valve. Reconnect the fittings in the correct orientation.

CAUSE: Solenoid Valve seat is dirty.

SOLUTION: Remove, clean, and reinsert Solenoid Filter. Activate faucet several times to flush out dirt.

CAUSE: Solenoid Valve is dirty.

SOLUTION: Backflush by reversing water flow (opposite to the direction shown by the arrow on the side of the Solenoid Valve) through the Solenoid Valve. Reconnect the compression fittings in the correct orientation. Activate faucet.

CAUSE: Solenoid Valve Module is defective.

SOLUTION: Replace EBF-11-A Solenoid Valve Module.

5. PROBLEM: The water temperature is too hot or too cold on a faucet connected to hot and cold supply lines with two Back Checks.

CAUSE: Supply Stops are not adjusted properly.

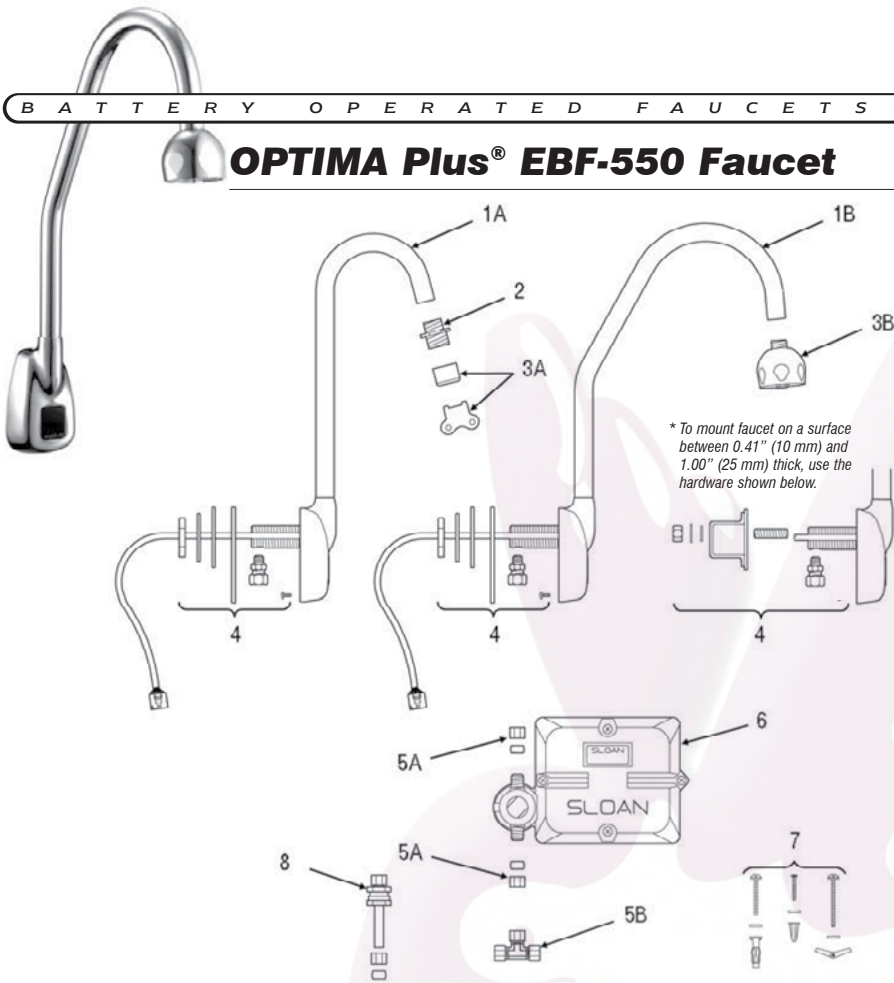
SOLUTION: Adjust Supply Stops.

CAUSE: One Back Check is installed backwards.

SOLUTION: Reinstall Back Check.

NOTE: For some systems, a Thermostatic Mixing Valve may be required.

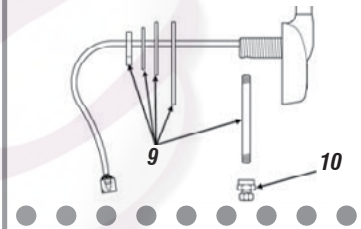
OPTIMA Plus® EBF-550 Faucet



Mounting Kit and Faucet Shank

The new mounting kit (in production since June 1999; part 4 shown on the left) includes parts for installation on both thin and thick surfaces, an **ETF-591** male compression fitting, and an anti-rotation screw for installation on sheet metal surfaces less than 0.41" (10 mm) thick. For surfaces between 0.41" (10 mm) and 1.00" (25 mm) thick, use the mounting spacer and mounting stud hardware*. The faucet sensor cable is threaded through a groove on the side of the shank.

The older mounting kit (in production in early 1999; part 9 shown below) can be identified by a copper supply tube attached to the faucet shank, requires an **ETF-547** compression fitting, and threads the faucet sensor cable through the



New Base Gasket

The new base gasket (in production since October 1999) is shown at left. An older base gasket design did not have the u-shaped drainage hole.

Parts List—EBF-550 Faucet

Item Number	Code Number	Part Number	Description
1A	0315061	EBF-94-A	Faucet and Sensor Assembly with Standard Gooseneck Spout (EBF-550)
1B	0315062	EBF-95-A	Faucet and Sensor Assembly with Surgical Bend Gooseneck Spout (EBF-550-S)
2	0305784	ETF-178	Adapter for Spray Heads (not required for AC-55-A Shower Spray Head)
3A	3365091	ETF-1021-A	0.5 gpm (1.9 Lpm) Spray Head with Key (female thread)
	3365090	ETF-1022-A	2.2 gpm (8.3 Lpm) Aerator Spray Head with Key (female thread)
	0305612	ETF-237	2.2 gpm (8.3 Lpm) Laminar Flow Spray Head (female thread)
	0305927	ETF-435	Replacement Key ONLY for ETF-1021-A 0.5 gpm (1.9 Lpm) Spray Head and ETF-1022-A 2.2 gpm (8.3 Lpm) Aerator Spray Head (NOT required for ETF-237 2.2 gpm/8.3 Lpm Laminar Flow Spray Head)
3B	0328134	AC-55-A	Shower Spray Head Assembly, 2.2 gpm (8.3 Lpm)
4	0315060	EBF-110-A	Faucet Mounting Kit includes Base Gasket, large Flat Washer, large Lockwasher, large Nut, Mounting Spacer, Mounting Stud, small Flat Washer, small Lockwasher, small Nut, Anti-Rotation Screw, and ETF-591 Compression Fitting Connector (male)
	0365152	ETF-591	1/8" NPT Pipe to 3/8" Tube Male Compression Fitting Connector
5A	3315029	EBF-113-A	Single Solenoid Supply Kit includes two (2) Compression Nuts, two (2) Compression Sleeves, and Screwdriver
5B	0305728	ETF-259	3/8" Tee Compression Fitting
6	0315104	EBF-60-A	Control Module Assembly includes Base Enclosure, Cover Enclosure, two (2) Gaskets, Solenoid Body, Solenoid Enclosure, Solenoid Filter Cap, and Battery Stop
7	3315018	EBF-79-A	Mounting Hardware Kit for Control Module Assembly includes four (4) Anchor Nuts, four (4) Toggle Nuts, four (4) Mounting Screws for Base Plate, four (4) Flat Washers, four (4) Anchors, and four (4) Metal Screws
8	3365001	ETF-470-A	Back Check
9	n/a	EBF-110-A	Old Faucet Mounting Kit includes 3/8" Water Supply Tube, Base Gasket, large Flat Washer, large Lockwasher, large Nut, and ETF-547 Compression Fitting Connector (order items 4 and 10 as replacement parts)
10	0365058	ETF-547	1/8" NPT Pipe to 3/8" Tube Female Compression Fitting Connector
—	0315048	EBF-107-A	Sensor Housing and Cable Assembly Replacement Kit
—	0315035	EBF-62-A	Solenoid Replacement Kit includes Solenoid Body, Solenoid Enclosure, and Solenoid Filter Cap
—	3315028	EBF-1004-A	Solenoid Filter Replacement Kit includes Filter Screen Assembly and O-ring
—	3315073	EBF-1006-A	Repair Kit for EBF-60 Control Module Assembly includes EBF-61-A Battery Holder Assembly and EBF-159 Battery Gasket
—	0315034	EBF-50-A	Control Module Replacement Gaskets (2 Required)

Tel.8375.0992/93, 8372.3713/14/15

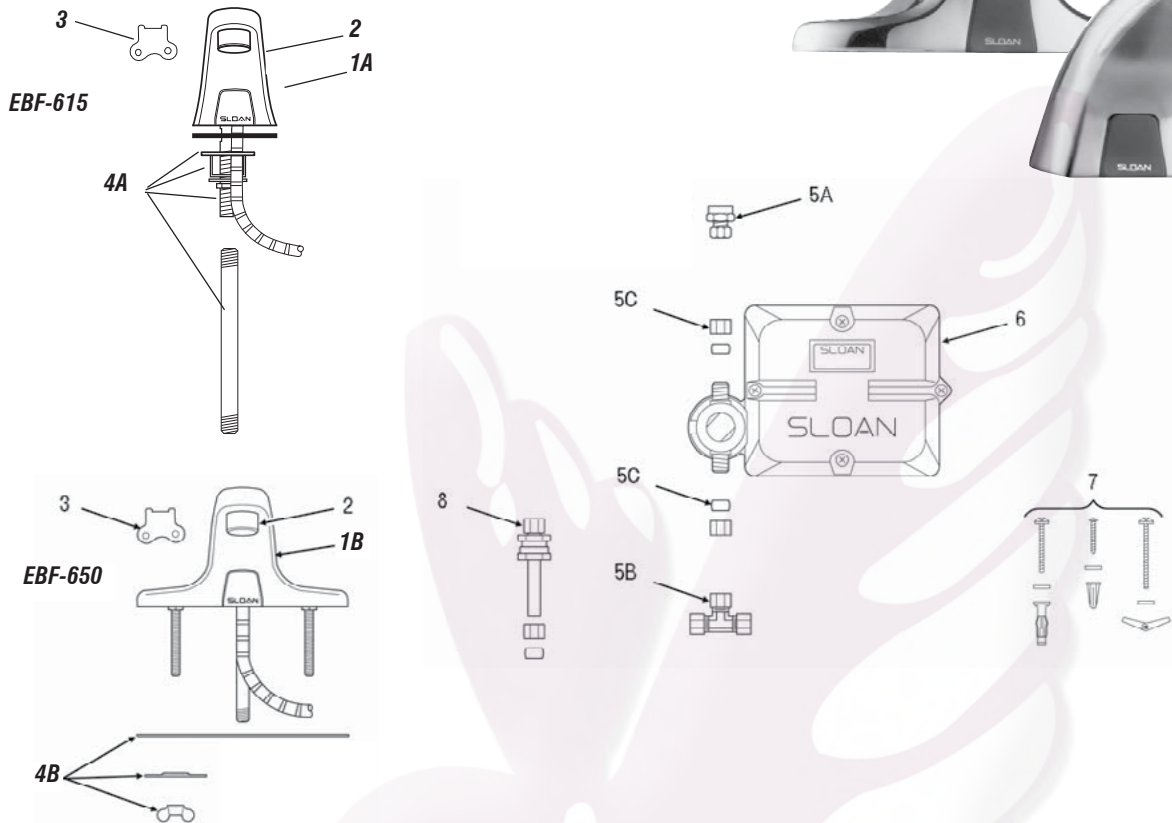
ProL.Ruiz Cortines #307 Pte. Col.Paseo de Cumbres Mty N.L. C.P.64346

www.colibrimty.com



@colibrimty

OPTIMA Plus® EBF-615 and EBF-650 Faucets



Parts List—EBF-615 and EBF-650 Faucets

Item Number	Code Number	Part Number	Description
1A	0315083	EBF-120-A	Pedestal Faucet Spout and Sensor Assembly (EBF-615)
1B	0315054	EBF-81-A	Faucet Spout and Sensor Assembly (EBF-650)
2	3365092	ETF-1023-A	0.5 gpm (1.9 Lpm) Spray Head with Key (male thread)
	3365093	ETF-1024-A	2.2 gpm (8.3 Lpm) Aerator Spray Head with Key (male thread)
	0305607	F-175-L	2.2 gpm (8.3 Lpm) Laminar Flow Spray Head (male thread)
3	0305927	ETF-435	Replacement Key Only for ETF-1023-A 0.5 gpm (1.9 Lpm) Spray Head and ETF-1024-A 2.2 gpm (8.3 Lpm) Aerator Spray Head (NOT required for F-175-L 2.2 gpm/8.3 Lpm Laminar Flow Spray Head)
4A	0315085	EBF-123-A	Faucet Mounting Kit for EBF-615 includes Spacer, Base Gasket, 1/4" NPSM Hex Nut, Washer, 9/16" Lockwasher, ETF-547 Compression Fitting Connector, and 3/8" RB Water Supply Tube
4B	3365088	ETF-546-A	Faucet Mounting Kit for EBF-650 includes Base Gasket, two (2) Slotted Mounting Washers, two (2) Wing Nuts, and ETF-547 Compression Fitting Connector
5A	0365058	ETF-547	1/8" NPT Pipe to 3/8" Tube Compression Fitting Connector (female)
5B	0305728	ETF-259	3/8" Tee Compression Fitting
5C	3315029	EBF-113-A	Single Solenoid Supply Kit includes two (2) Compression Nuts, two (2) Compression Sleeves, and Screwdriver
6	0315104	EBF-60-A	Control Module Assembly includes Base Enclosure, Cover Enclosure, two (2) Gaskets, Solenoid Body, Solenoid Enclosure, Solenoid Filter Cap, and Battery Stop
7	3315018	EBF-79-A	Mounting Hardware Kit for Control Module Assembly includes four (4) Anchor Nuts, four (4) Toggle Nuts, four (4) Mounting Screws for Base Plate, four (4) Flat Washers, four (4) Anchors, and four (4) Metal Screws
8	3365001	ETF-470-A	Back Check
—	0315040	EBF-80-A	Sensor Replacement Kit includes Cable Assembly, Retainer for PC Board Assembly, and Housing for Sensor Window
—	0315035	EBF-62-A	Solenoid Replacement Kit includes Solenoid Body, Solenoid Enclosure, and Solenoid Filter Cap
—	3315028	EBF-1004-A	Solenoid Filter Replacement Kit includes Filter Screen Assembly and O-ring
—	3315073	EBF-1006-A	Repair Kit for EBF-60 Control Module Assembly includes EBF-61-A Battery Holder Assembly and EBF-159 Battery Gasket
—	0315034	EBF-50	Control Module Replacement Gasket (two required)
—	3315074	EBF-1007-A	Faucet Cable Assembly Repair Kit for EBF-650 includes Sensor Window Housing Assembly and Bracket for Sensor Window

Tel.8375.0992/93, 8372.3713/14/15

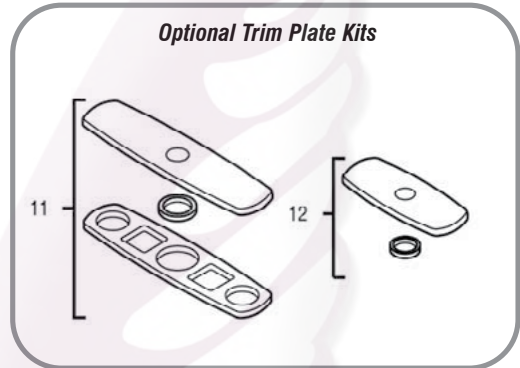
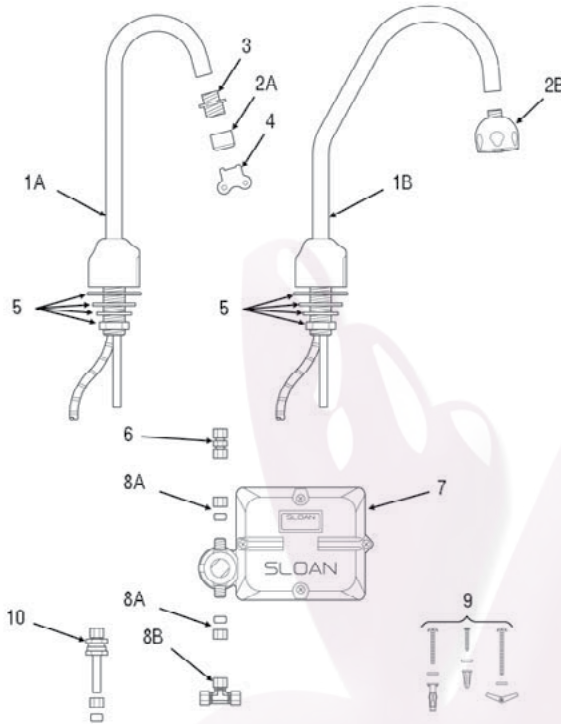
Prol.Ruiz Cortines #307 Pte. Col.Paseo de Cumbres Mty N.L. C.P.64346

www.colibrimty.com



@colibrimty

OPTIMA Plus® EBF-750 Faucet



Parts List—EBF-750 Faucet

Item Number	Code Number	Part Number	Description
1A	0315076	EBF-140-A	Faucet/Sensor Assembly with Standard Gooseneck Spout (EBF-750)
1B	0315077	EBF-141-A	Faucet/Sensor Assembly with Surgical Bend Gooseneck Spout (EBF-750-S)
2A	3365091	ETF-1021-A	0.5 gpm (1.9 Lpm) Spray Head with Key (female thread)
	3365090	ETF-1022-A	2.2 gpm (8.3 Lpm) Aerator Spray Head with Key (female thread)
	0305612	ETF-237	2.2 gpm (8.3 Lpm) Laminar Flow Spray Head (female thread)
2B	328134	AC-55-A	Shower Spray Head Assembly, 2.2 gpm (8.3 Lpm)
3	0305784	ETF-178	Adapter for Spray Heads (not required for AC-55-A Shower Spray Head)
4	0305927	ETF-435	Replacement Key Only for ETF-1021-A 0.5 gpm (1.9 Lpm) Spray Head and ETF-1022-A 2.2 gpm (8.3 Lpm) Aerator Spray Head (NOT required for ETF-237 2.2 gpm/8.3 Lpm Laminar Flow Spray Head)
5	0365110	ETF-503-A	Spout Mounting Kit includes Rubber Gasket, Flat Washer, Lockwasher, Mounting Nut, and ETF-530 Union Compression Fitting
6	0365057	ETF-530	3/8" x 3/8" Union Compression Fitting (female)
7	0315104	EBF-60-A	Control Module Assembly includes Base Enclosure, Cover Enclosure, two (2) Gaskets, Solenoid Body, Solenoid Enclosure, Solenoid Filter Cap, and Battery Stop
8A	3315029	EBF-113-A	Single Solenoid Supply Kit includes two (2) Compression Nuts, two (2) Compression Sleeves, and Screwdriver
8B	0305728	ETF-259	3/8" Tee Compression Fitting
9	3315018	EBF-79-A	Mounting Hardware Kit for Control Module Assembly includes four (4) Anchor Nuts, four (4) Toggle Nuts, four (4) Mounting Screws for Base Plate, four (4) Flat Washers, four (4) Anchors, and four (4) Metal Screws
10	3365001	ETF-470-A	Back Check
11	3365601	ETF-431-A	Optional 8" (203 mm) Centerset Trim Plate Kit includes Seal, two (2) Washer Fenders, two (2) Gaskets, two (2) Finger Nuts, Trim Plate Spacer, and Single Hole Trim Plate Assembly
12	3365468	ETF-312-A	Optional 4" (102 mm) Centerset Trim Plate Kit includes Trim Plate Spacer and Single Hole Trim Plate Assembly
—	0315057	EBF-138-A	Sensor Replacement Kit includes Sensor Housing and Cable Assembly
—	0315035	EBF-62-A	Solenoid Replacement Kit includes Solenoid Body, Solenoid Enclosure, and Solenoid Filter Cap
—	3315028	EBF-1004-A	Solenoid Filter Replacement Kit includes Filter Screen Assembly and O-ring
—	3315073	EBF-1006-A	Repair Kit includes for EBF-60 Control Module Assembly includes EBF-61-A Battery Holder Assembly and EBF-159 Battery Gasket
—	0315034	EBF-50	Control Module Replacement Gaskets (two Required)

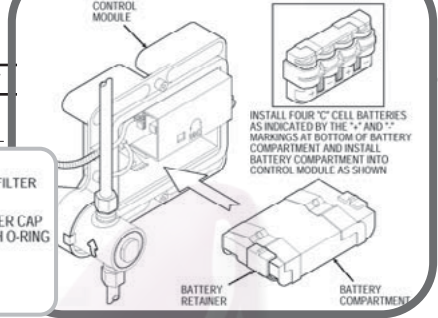
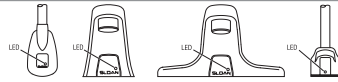
Tel.8375.0992/93, 8372.3713/14/15

Prol.Ruiz Cortines #307 Pte. Col.Paseo de Cumbres Mty N.L. C.P.64346

www.colibrimty.com



@colibrimty



Troubleshooting Guide for EBF-550, EBF-615, EBF-650, and EBF-750 Faucets

NOTE: Range Potentiometer adjustment screw rotates only 3/4 of a turn (270°). Do not overrotate!

- 1. PROBLEM:** Sensor troubleshooting LED does not function (red indicator light does not flash during set-up procedure).

CAUSE: No battery power is being supplied to Sensor.

SOLUTION: Ensure that the batteries are installed properly. Check that the orientation of each battery matches the positive (+) and negative (-) symbols shown on the bottom of the battery compartment. Reinsert the Battery Compartment into the Control Module.

CAUSE: Insufficient battery power is being supplied to sensor.

SOLUTION: One (or more) of the batteries is "dead". To ensure proper operation, insert four (4) new C-size Alkaline batteries. Check that the orientation of each battery matches the positive (+) and negative (-) symbols shown on the bottom of the Battery Compartment. Reinsert the Battery Compartment into the Control Module.

CAUSE: Sensor Cable is not properly inserted.

SOLUTION: Disconnect and reconnect Sensor Cable to the Control Module.

CAUSE: Sensor range is set at minimum distance.

SOLUTION: Increase Sensor range. Use a small phillips screwdriver to turn the potentiometer screw (white screw in a blue base) clockwise.

CAUSE: Control Module assembly is defective.

SOLUTION: Replace EBF-60-A Control Module assembly
- 2. PROBLEM:** Faucet does not deliver any water when Sensor is activated.

INDICATOR: Solenoid valve produces audible "CLICK".

CAUSE: Water supply valve is closed.

SOLUTION: Open the Supply Stop.

INDICATOR: Solenoid valve DOES NOT produce an audible "CLICK".

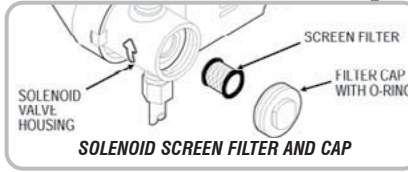
CAUSE: Solenoid lead is not properly connected to the Control Module.

SOLUTION: Disconnect and reconnect Solenoid lead to the Control Module.

CAUSE: Batteries are not installed properly.

SOLUTION: Check that the orientation of each battery matches the positive (+) and negative (-) symbols shown on the bottom of the battery compartment. Reinsert the Battery Compartment into the Control Module. The troubleshooting LED should flash RED when a user is detected.
- 3. PROBLEM:** Faucet delivers only a slow flow or dribble when Sensor is activated.

CAUSE: Water supply valve is partially closed.



SOLENOID SCREEN FILTER AND CAP

- SOLUTION:** Completely open the Supply Stop.
- CAUSE:** Solenoid Filter is clogged.
- SOLUTION:** Remove, clean, and reinsert. Replace EBF-1004-A Solenoid Filter Kit if necessary.
- CAUSE:** Aerator or Spray head is clogged.
- SOLUTION:** Remove, clean, and reinsert.
- 4. PROBLEM:** Faucet does not stop delivering water or continues to drip after user is no longer detected (automatic shut off fails even when batteries are removed).

CAUSE: Solenoid Valve has been connected backwards.

SOLUTION: Disassemble Solenoid Valve Compression Fittings at both the inlet and outlet positions. The water should flow from inlet through the Solenoid Valve to the outlet according to the direction of the arrow shown on the side of the Solenoid Valve. Reconnect the Compression Fittings in the correct orientation.

CAUSE: Solenoid Valve is dirty.

SOLUTION: Backflush by reversing water flow (opposite to the direction shown by the arrow on the side of the Solenoid Valve) through the Solenoid Valve. Reconnect the compression fittings in the correct orientation. Activate faucet.

CAUSE: Solenoid Valve Module is defective.

SOLUTION: Replace EBF-62-A Solenoid Valve Module.
 - 5. PROBLEM:** The water temperature is too hot or too cold on a faucet connected to hot and cold supply lines with two Back Checks.

CAUSE: Supply Stops are not adjusted properly.

SOLUTION: Adjust Supply Stops.

CAUSE: One Back Check is installed backwards.

SOLUTION: Reinstall Back Check.

NOTE: For some systems, a Thermostatic Mixing Valve may be required.

Care and Cleaning Instructions

DO NOT USE abrasive or chemical cleaners to clean Faucets that may dull the luster and attack the chrome or special decorative finishes. Use **ONLY** soap and water, then wipe dry with a clean towel or cloth.

When cleaning the bathroom tile, protect the Faucet from any splattering of cleaner. Acids and cleaning fluids can discolor or remove chrome plating.

If further assistance is required, please contact the Sloan Valve Company Installation Engineering Department at

1-888-SLOAN-14 (1-888-756-2614).

LIMITED WARRANTY

Sloan Valve Company warrants its Faucet Products to be made of first class materials, free from defects of material or workmanship under normal use and to perform the service for which they are intended in a thoroughly reliable and efficient manner when properly installed and serviced, for a period of three years (one year for special finishes) from date of purchase. During this period, Sloan Valve Company will, at its option, repair or replace any part or parts which prove to be thus defective if returned to Sloan Valve Company, at customer's cost, and this shall be the sole remedy available under this warranty. No claims will be allowed for labor, transportation or other incidental costs. This warranty extends only to persons or organizations who purchase Sloan Valve Company's products directly from Sloan Valve Company for purpose of resale.

THERE ARE NO WARRANTIES WHICH EXTEND BEYOND THE DESCRIPTION ON THE FACE HEREOF. IN NO EVENT IS SLOAN VALVE COMPANY RESPONSIBLE FOR ANY CONSEQUENTIAL DAMAGES OF ANY MEASURE WHATSOEVER.